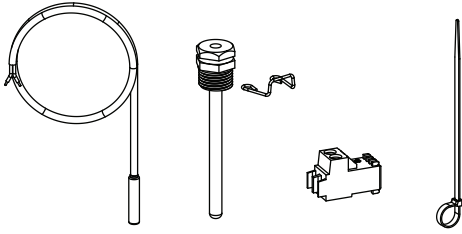


INSTRUCTIONS: HEADER FLOW TANK POCKET SENSOR KIT



OPTION A - E-M

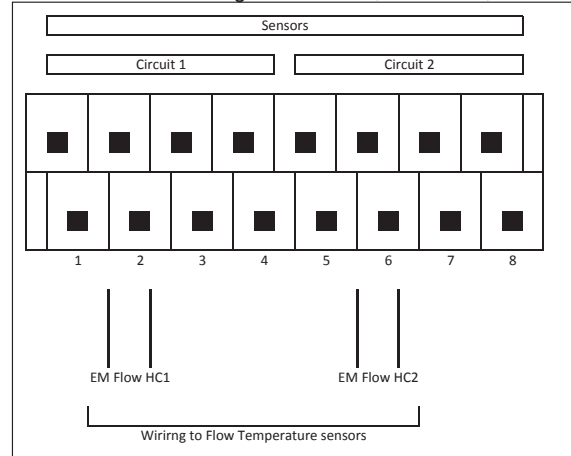
iCCS Flow Temperature Pocket Sensor Installation

- A. Instruction leaflet
- B. Flow pocket sensor
- C. Sensor pocket
- D. Sensor retention strap

This flow sensor is compatible with the new iCCS optional Extension module. It is also backwards compatible with the previous sensor applications.

1. Determine the position for the Flow sensor/s on the HCs which it will need to control.
2. Install the sensor pocket if required.
3. Insert the pocket sensor and wire back to the EM as required.

4. Connect the wiring for the flow sensor/s to the wiring screw terminals Installer wiring connection/s, 2 and or 6, as shown below:



5. Snap out the plastic exit point/s and secure the cables with the supplied cable retention clamps. Ensure that isolation is maintained between any single insulated mains voltage and SELV wiring.
6. Once connected, select during configuration of the Extension Module HCs.

OPTION B - BOILER

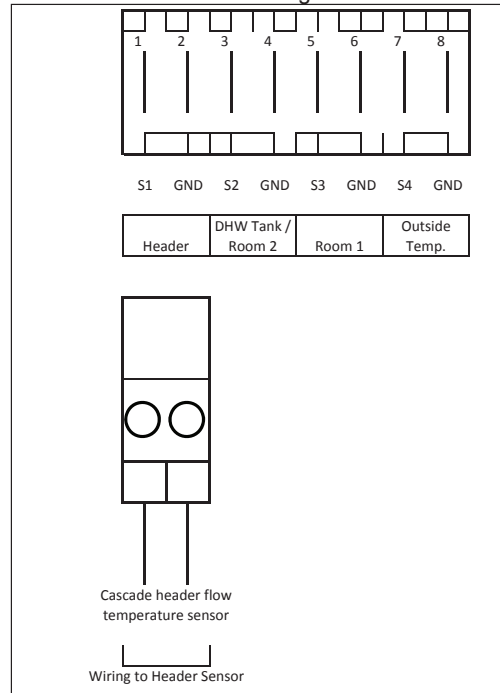
iCCS Cascade Header Flow Temperature Pocket Sensor Installation

- A. Instruction Leaflet
- B. Cascade Header Flow Temperature sensor
- C. Sensor pocket
- D. Sensor retention clip
- E. Cascade Header Temperature sensor RAST5 connector plug
- F. Cable tie

This cascade header flow temperature sensor is compatible with the new iCCS. It is only fitted to the Master boiler within a Cascade. It is also backwards compatible with the previous sensor applications.

1. Determine the position for the Cascade Header Temperature sensor within the cascade mixing header, combined flow header or plate heat exchanger which it will need to control the flow temperature to or from.
2. Install the sensor pocket if required.
3. Insert the pocket sensor and wire back to the boiler as required.
4. Route the sensor cable in through the slotted access port on the RHS of the boiler bulkhead, secure with the cable tie provided.

5. Connect the wiring for the Header sensor to the connector plug and locate into Installer wiring connector I10 as shown below:



6. Once connected, select during configuration of the Boiler Plant.

OPTION C - BOILER

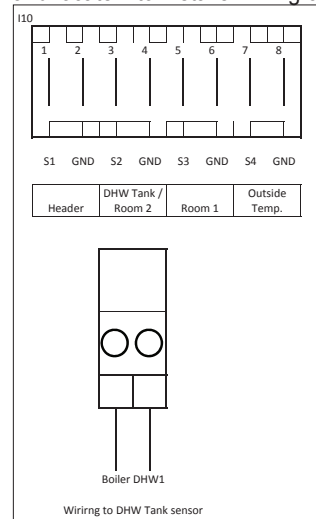
iCCS DHW Pocket Tank Sensor Installation

- A. Instruction leaflet
- B. Tank pocket sensor
- C. Tank pocket
- D. Sensor retention clip
- E. DHW Tank (Boiler DHW) RAST 5 connector plugs
- F. Cable tie

This tank sensor is compatible with the new iCCS optional Extension module. It is also backwards compatible with the previous sensor applications.

1. Determine the position for the DHW tank sensor within the DHW tank which it will need to control.
2. Install the sensor pocket if required.
3. Insert the pocket sensor and wire back to the boiler as required.
4. Route the sensor cable in through the slotted access port on the RHS of the boiler bulkhead, secure with the cable tie provided.

5. Connect the wiring for the DHW tank sensor to the connector plug and locate into Installer wiring connector I10 as shown below:



6. Once connected, select during configuration of the Boiler DHW circuit.

OPTION D - E-M

iCCS DHW Pocket Tank Sensor Installation

1. Determine the position for the DHE tank sensor/s within the DHW tank/s which it will need to control. Install the sensor pocket if required.
2. Insert the pocket sensor and wire back to the boiler as required.
3. Insert the pocket sensor and wire back to the EM as required.
4. Connect the wiring for the room sensor/s to the wiring screw terminals Installer wiring connection/s 1 and or 5, as shown below:

5. Snap out the plastic exit point/s and secure the cables with the supplied cable retention clamps. Ensure that isolation is maintained between any single insulated mains voltage and SELV wiring.
6. Once connected, select during configuration of the Extension Module DHW circuit.

