

ideal
HEATING

COMMERCIAL

ECOMOD HEAT PUMP

14 & 18kW



ErP A+++



Suitable for
commercial
properties



Quiet Noise Level
up to 68 dB(A)**



Low environmental
impact



Highly efficient:
COP up to 4.85***

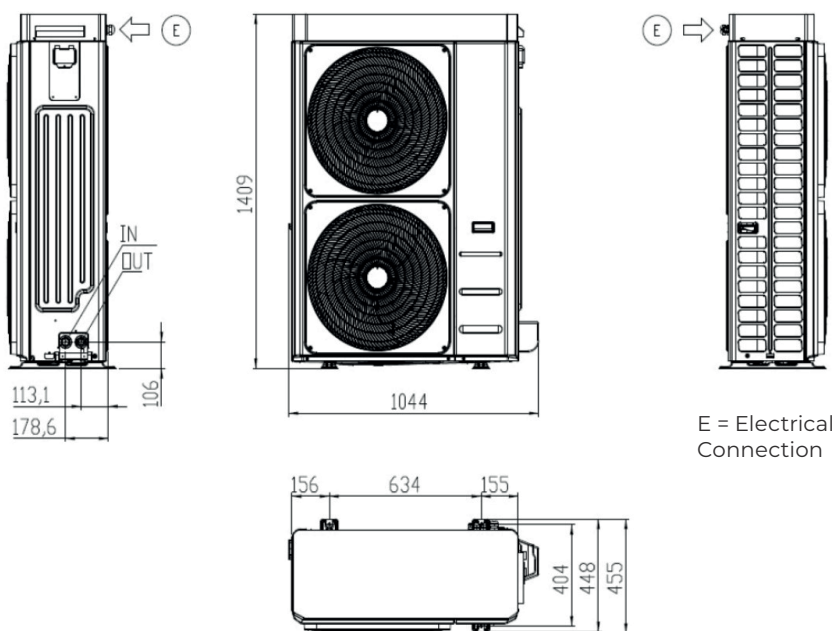


Features & specification

- Monobloc air source heat pump
- Single unit with the refrigeration cycle contained within the outdoor unit
- Inverter controlled compressor to accurately match the heat demand
- Low global warming potential due to the use of R32 refrigerant
- Highly efficient with co-efficiency of performance (COP) rating up to 4.85
- Light and compact unit for ease of installation and delivery
- Suited to larger installations - cascade up to seven units from external controller (sold separately)
- 2-year warranty (extended to 5 years if commissioned by Ideal Heating)
- Gold Fin anti-corrosion coating as standard
- Combine with Ideal industry leading boilers for a hybrid heating system



We are committed to delivering the highest level of customer service. With more than 100 years' experience in the heating industry, we know how important confidence and trust are to our customers.



Installation clearances:

FRONT	REAR	LEFT	RIGHT	TOP
1500	400	400	500	500

Side clearance of 1000mm when used in cascade

ECOMOD HEAT PUMP 14 & 18kW

TECHNICAL SPECIFICATIONS

GENERAL

		14kW (1 Phase)	14kW (3 Phase)	18kW
Heat Pump Space Heating [35°C]	ErP rating	A+++	A+++	A+++
	SCOP	4.85	4.85	4.67
Heat Pump Space Heating [55°C]	ErP rating	A++	A++	A++
	SCOP	4.48	4.48	4.5
Heating (A7/W35)	Capacity (kW)	14.6	14.1	17.96
	Power Input (kW)	2.91	2.59	3.59
	COP***	4.85	4.85	4.67
Air Temperature Range	Min/Max (°C)	(-25 +30)	(-25 +30)	(-25 +30)
Sound Data Outdoor Unit	Power Level dB(A)**	68	68	68
Primary Flow Rate	(l/Sec)	0.64	0.65	0.83
Pipework Connection Sizes	Heating Flow (")	1	1	1
	Heating Return (")	1	1	1
Dimensions Outdoor Unit	Width (mm)	1044	1044	1044
	Depth (mm)	455	455	455
	Height (mm)	1409	1409	1409
Weight	kg	121	121	141
	Electrical Supply (v)	240	415	415
Electrical Data	Phase	Single	Three	Three
	Max Running Current (Amp)	28.6	9.5	12
	Fuse Rating (Amp)	32	32	32
Refrigerant Charge	R32 (kg)	2.5	2.5	2.5

ACCESSORIES AND OPTIONS

	Required	Optional extras
Control unit (sold separately)	✓	
Flexible hoses		✓
Anti-vibration rubber feet		✓
Wall-mounted brackets		✓

Terms and conditions apply.

* 2 year warranty extended to 5 years if commissioned by Ideal Heating. ** 68dB(A) is the rated sound pressure level of the Ecomod 14kW-18kW, the sound levels refer to a fully loaded unit at standard nominal conditions in accordance with EU Regulation 813/2013. *** Efficiency Co-efficient of Performance (COP) rated at EN14825 test conditions Water 35°C, Air 7°C.

Every effort has been taken to ensure the details are accurate. Ideal Heating does not, however, guarantee the accuracy or completeness of any information nor does it accept liability for any errors or omissions in the information. Ideal Heating reserves the right to make changes and improvements which may necessitate alteration to product specification without prior notice.



Sales:

0844 543 6060

Technical Help:

01482 498376

Ideal Heating, PO Box 103, National Avenue,
Kingston upon Hull, East Yorkshire, HU5 4JN

E: commercial@idealheating.com

idealheating.com |     

**EXPERTS IN
HEATING**