

# users guide

## Harrier GTE

Your Ideal users guide

**GTE 5, GTE 6, GTE 7, GTE 8 & GTE 9**

**9486 2082**

When replacing any part on this appliance, use only spare parts that you can be assured conform to the safety and performance specification that we require. Do not use reconditioned or copy parts that have not been clearly authorised by Ideal Boilers.

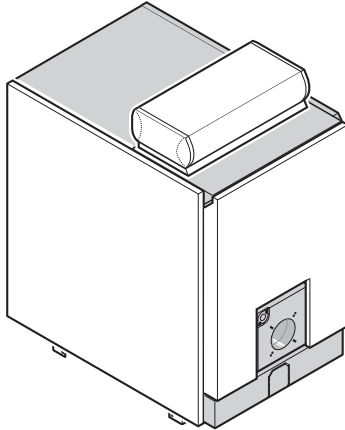
**i Ideal** BOILERS  
**ENGINEERED FOR PEACE OF MIND**

# Harrier GTE

## (Gas and Fuel Oil)

PI No. 49AQ950

Destination Countries: GB, IE



### INTRODUCTION

The **Harrier GTE** is a floor-standing boiler featuring full sequence automatic gas or fuel oil burner.

### SAFETY

*It is essential that the instructions in this booklet are strictly followed, for safe and economical operation of the boiler.*

### FOR GAS FIRED BOILERS

#### **Current Gas Safety (Installation & Use) Regulations or rules in force.**

In your own interest, and that of safety, it is the law that this boiler must be installed and maintained by a CORGI registered installer, in accordance with the above regulations.

The appliance should be serviced at least once a year by a CORGI registered installer.

#### **Electricity Supply**

The appliance must be earthed.

Supply 230 V - 50 Hz.

The appliance is intended to be connected to the supply via a double-pole switch, having a 3mm contact separation in both poles, serving only the boiler and system controls. Alternatively, a 3-pin UNSWITCHED socket may be used.

The burner and circulating pumps may be 1ph or 3ph.

#### **Important Notes**

- Do not store objects around or on the boiler, and keep access clear at all times.

- Do not obstruct ventilation ducts, grilles or openings in the boiler room or the passage of combustion and ventilation air to the boiler.
- Do not turn off the boiler if it is to be left unattended in frosty weather.
- If it is known or suspected that a fault exists on the boiler then it **MUST NOT BE USED** until the fault has been corrected by a recognised installer (CORGI registered for gas-fired boilers).
- Flammable materials must not be placed in close proximity to the appliance. Materials giving off flammable vapours must not be stored in the same room as the appliance.

In cases of repeated or continuous shutdown, a recognised installer (CORGI registered for gas-fired boilers) should be called to investigate and rectify the condition causing this and carry out an operational test after each intervention on the device. Only the manufacturer's original parts should be used for replacement.

#### **Minimum Clearances**

Clearances of **1000mm (40")** at the rear, 200mm (8") plus burner projection on burner hinge side or **500mm (20")** whichever is the greater on one side and **100mm (4")** on the other side and **1500mm (60")** at the front of the boiler casing must be allowed for servicing.

#### **To Light the Boiler (Refer to Frame 1)**

1. CHECK THAT THE ELECTRICITY SUPPLY TO THE BOILER IS OFF.
2. Set the boiler on/off switch (1) to OFF.
3. Set the boiler flow temperature control (3A) to maximum (1st stage control if high/low burner fitted).
4. Switch on the electricity supply to the boiler and check that all external controls, e.g. programmer, room thermostat etc., are on.

If a Deluxe control panel is fitted set the Burner and Pump switch (2) to Winter, the Auto/Manual/Test switch (5) to Auto or Manual and the Stage switch (6) to 2..

5. Set the boiler on/off switch (1) to ON.  
The boiler will commence the ignition sequence, supplying heat to the system when required.

**Note.** *If the burner does not ignite refer to the burner instructions.*

6. Set the boiler flow temperature control (3A) to the desired setting. If a high/low burner is fitted, set the 2nd stage temperature control (3B) to a setting 5°C lower.  
Settings below 4 (approx. 40°C) are not recommended, in order to avoid the risk of combustion products condensing on the walls of the boiler.

If a Deluxe control panel is fitted set the Burner and Pump Summer/Winter switch (2) and Stage switch (6) to the desired setting.

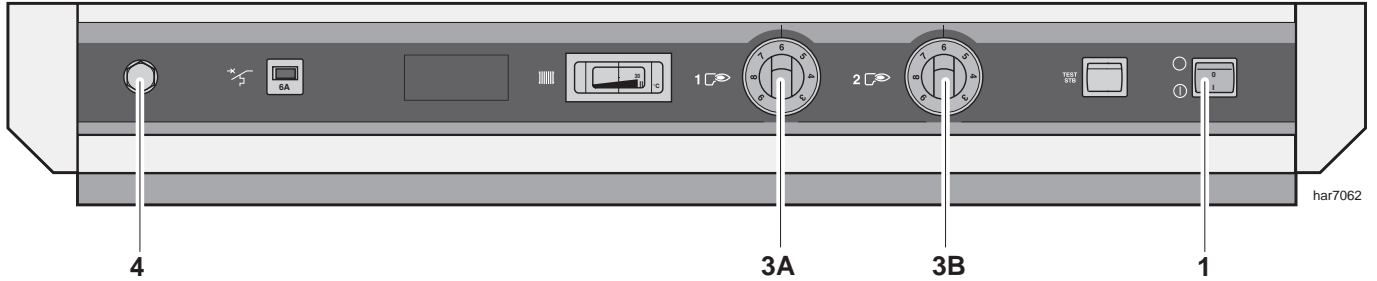
7. **Burner**  
Refer to the instructions supplied with the burner for specific control features.

All CORGI Registered Installers carry a CORGI ID card, and have a registration number. Both should be recorded in your Log Book. You can check your installer by calling CORGI direct on 0156 372 300.

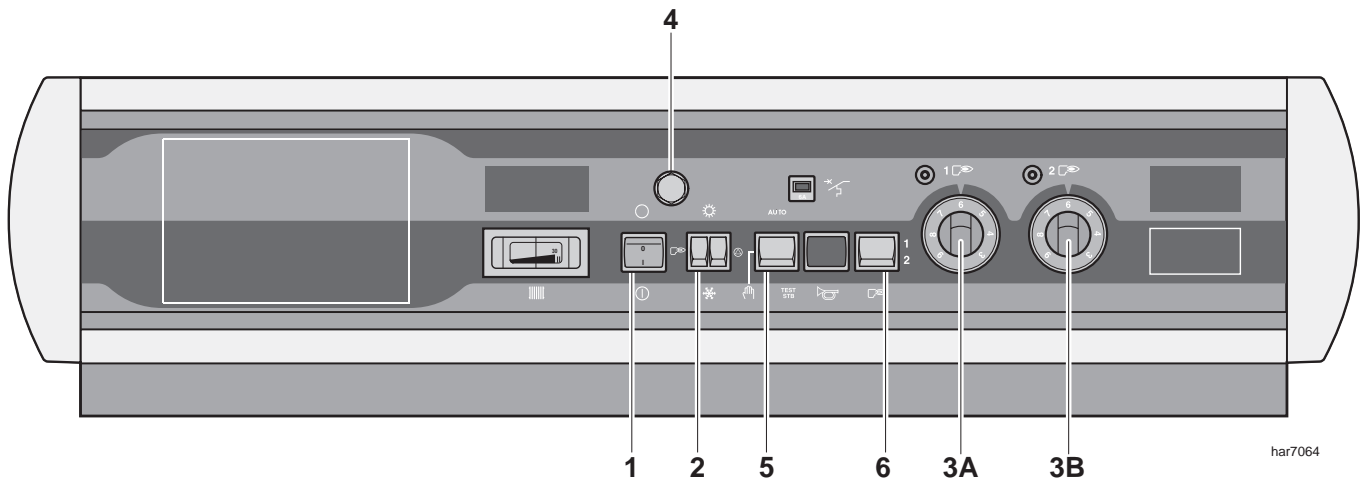
**CAUTION. To avoid the possibility of injury during the installation, servicing or cleaning of this appliance care should be taken when handling edges of sheet steel components**

# 1 BOILER CONTROLS

## Standard Control Panel (FD167)



## Deluxe Control Panel (FD168)



# 2 CONTROL OF WATER TEMPERATURE

The water temperature is controlled by the boiler thermostat (item 3A). The temperature range of the thermostat is 30 - 90°C for ON/OFF operation. For boilers fitted with high/low burners, a 2nd stage thermostat controls the burner changeover from high to low fire at a recommended setting 5°C lower than the maximum flow temperature setting.

**Note.**

*The setting numbers 3-9 are approximately scaled to represent 30-90°C.*

## **To Shut Down the Boiler**

### **1. For short periods**

Set the boiler on/off switch (1) to OFF.

### **2. For longer periods**

Set the boiler on/off switch (1) to OFF. Switch the electricity supply to OFF. For longer periods the entire system should be drained.

## **To Relight the Boiler**

Refill the system if it has been drained, taking care to ensure no air is in the boiler or system.

Repeat the procedure detailed in 'To light the boiler'.

## **Frost Protection**

If frost is likely and dependant on the system controls, which may incorporate suitable safety features, leave the boiler thermostat at a reduced temperature setting. Ensure external controls allow the boiler to operate if necessary. Note that this may not protect remote parts of the system, in which case a separate frost thermostat should be fitted or the system drained and the boiler shut down, as for Long Periods.

## **Boiler Overheat Thermostat**

Boiler overheating is detected by the overheat thermostat connected to the boiler control module. If the boiler has overheated, allow it to cool then, press the safety thermostat reset button, under the screw top cap (4), and the burner will relight. If the fault recurs, turn off the boiler and consult a recognised installer (CORGI registered for gas-fired boilers.)

## **Escape of Gas**

Should a gas leak or fault be suspected contact your local gas supplier without delay.

**Do NOT search for gas leaks with a naked flame.**

## **Cleaning**

For normal cleaning simply dust with a dry cloth.

To remove stubborn marks and stains use a damp cloth and mild detergent.

DO NOT use abrasive cleaning materials.

---

**Caradon Ideal Limited** pursues a policy of continuing improvement in the design and performance of its products. The right is therefore reserved to vary specification without notice.

**Ideal Boilers**, P.O. Box 103, National Ave, Kingston upon Hull, HU5 4JN. Telephone: 01482 492 251 Fax: 01482 448 858. Registration No. London 322 137.



**i Ideal** BOILERS

**ENGINEERED FOR PEACE OF MIND**

June 2003

200 089 A01

**Caradon**  
Ideal Limited

***Ideal Commercial Technical Helpline Tel: 01482 498 376***  
***www.idealboilers.com***