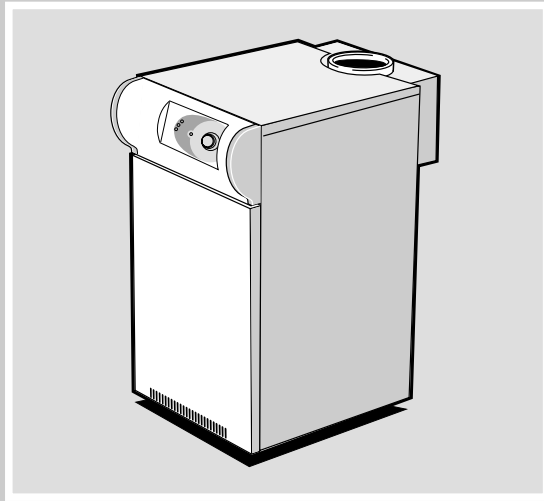


# THE IDEAL USER'S GUIDE



*Concord*  
*CXS 40/H-120/H*

*i* **Ideal** BOILERS

**CAUTION.** To avoid the possibility of injury during the use or cleaning of this appliance care should be taken when handling edges of sheet steel components.

**ALL MODELS**

**THE GAS SAFETY (INSTALLATION & USE) REGULATIONS OR RULES IN FORCE** impose certain statutory obligations on gas users. This appliance must be installed by a CORGI registered installer.

1. It is **ESSENTIAL** that the instructions in this booklet are strictly followed, for safe, economical operation of the boiler.
2. Do not obstruct ventilation ducts, grilles or openings in the boiler room, or the passage of combustion and ventilation air to the boiler.
3. Do not store objects around or on the boiler, and keep access clear at all times.
4. Switch off and disconnect the electricity supply before carrying out maintenance work.
5. Do not turn off the boiler if it is to be left unattended in frosty weather.

**MAINTENANCE**

The appliance should be serviced at least once a year by a CORGI registered installer.

**WARNING.**

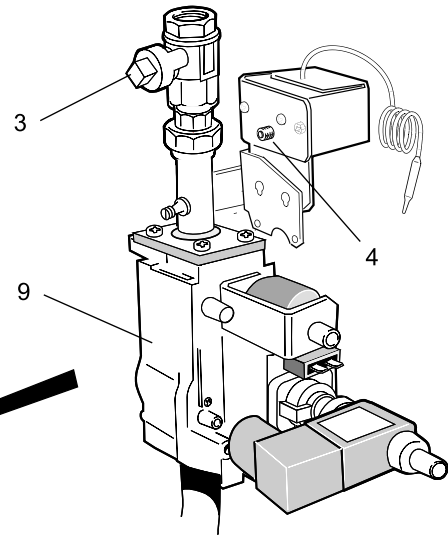
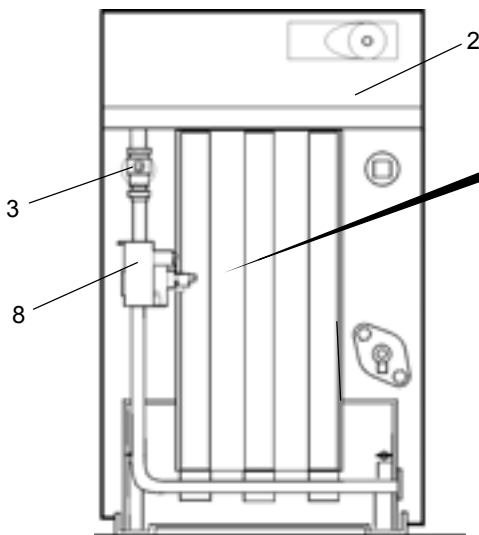
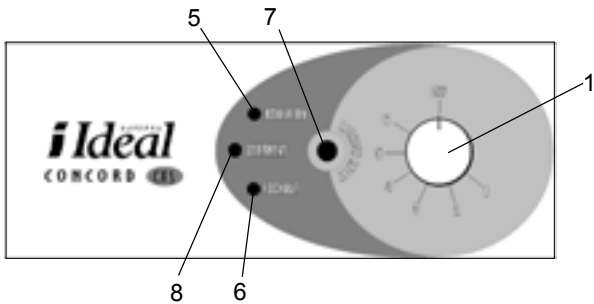
This appliance **MUST** be efficiently earthed.

**CLEANING**

For normal cleaning simply dust with a dry cloth. To remove stubborn marks and stains use a damp cloth and mild detergent. **DO NOT** use abrasive cleaning materials.

Knob setting setting	Approx flow temp °C	Approx flow temp °F
1	60	140
2	64	147
3	69	156
4	73	163
5	77	171
6	82	180

**CONCORD CXS 40/H - 90/H models**



Con 5239

**LEGEND**

- |                                     |                         |
|-------------------------------------|-------------------------|
| 1. Thermostat knob                  | 5. Boiler on light      |
| 2. Control box                      | 6. Lockout light        |
| 3. Mains inlet gas cock             | 7. Lockout reset button |
| 4. Overheat thermostat reset button | 8. Overheat light       |
|                                     | 9. Gas control valve    |

## TO LIGHT THE BOILER

1. Check that the boiler thermostat knob (1) on the control box (2) is OFF.
2. Ensure that the mains gas inlet cock (3) is open (groove in the square head in line with the gas pipe).
3. Press in and release the overheat thermostat button (4).
4. Switch on electrical supply to the boiler.
5. Ensure that all system controls (time switch, system controls etc.) are calling for heat.
6. Turn the boiler thermostat knob (1) to position 6.
7. The boiler will light at Low rate and the Boiler On light (5) will be illuminated. If it does not light the Lockout light (6) will be illuminated. Press in and release the Lockout button (7). The controls will reset and attempt to relight.
8. The burner will remain at Low rate for about 1 minute before going to High rate.
9. Check all connections for gas soundness, using leak detection fluid.
10. Set the boiler thermostat knob and the system controls to the required settings.
11. Turn off the electrical supply to the boiler.

## CONTROL PANEL LIGHTS

1. The Boiler On light (5) is illuminated when the boiler is firing.
2. If the Overheat light (8) is lit, pull off the casing lower front panel and press in the overheat reset button (4). Replace the lower front panel and follow the boiler lighting instructions above. If the overheat condition persists consult a CORGI registered installer.

3. If the Lockout light (6) is lit press in the Lockout reset button (7). If the lockout condition persists consult a CORGI registered installer.

## TO SHUT DOWN THE BOILER

### For short periods

Turn the boiler off at the time clock or system controls. Wait 6 min. and then turn the boiler control thermostat knob (1) to OFF. Note the frost warning below.

### For long periods

Turn the boiler off at the time clock or system controls. Wait for 6 min. and then turn the boiler control thermostat knob (1) to OFF. Note the frost warning below.

## TO RELIGHT THE BOILER

### After short periods

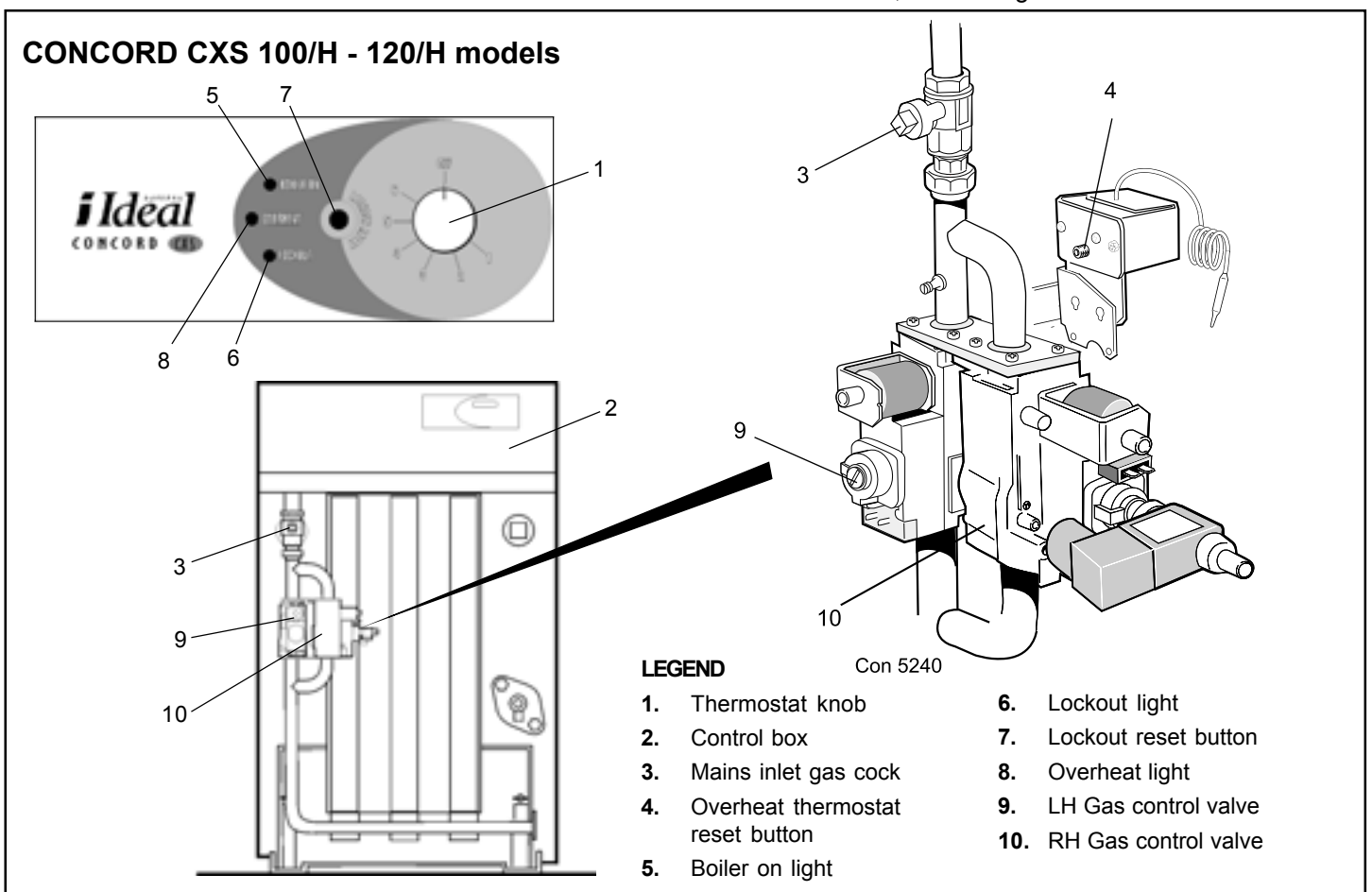
Switch on the time switch or system controls and turn boiler thermostat knob (1) to the required setting. The boiler will light providing the external controls are calling for heat.

### After long periods

Follow the lighting instructions above. Refill the system if it has been drained.

## FROST WARNING

If frost is likely, leave the boiler thermostat at position 6 and **do not** turn off the gas cock. This will enable the built-in frost thermostat to protect the boiler. Note that this may not protect remote parts of the system, in which case a separate frost thermostat should be fitted or the system drained and the boiler shut down, as for Long Periods.



**Ideal Boilers**, P.O. Box 103, National Ave, Kingston upon Hull,  
HU5 4JN. Telephone: 01482 492 251 Fax: 01482 448 858.  
Registration No. London 322 137.

**Caradon Ideal Limited** pursues a policy of continuing  
improvement in the design and performance of its products. The  
right is therefore reserved to vary specification without notice.



***i* Ideal** BOILERS

January 2002

UIN 157297 A02

**Caradon**  
Ideal Limited

***Ideal Installer/Technical Helpline: 01482 498 376***

***www.idealboilers.com***