

+ PROGRAMMABLE ROOM THERMOSTAT (2 CHANNEL) INSTALLATION INSTRUCTIONS

**EVOMAX
IMAX XTRA EL**

When replacing any part on this appliance, use only spare parts that you can be assured conform to the safety and performance specification that we require. Do not use reconditioned or copy parts that have not been clearly authorised by Ideal.

Ideal Programmable Room Thermostat (2 Channel)

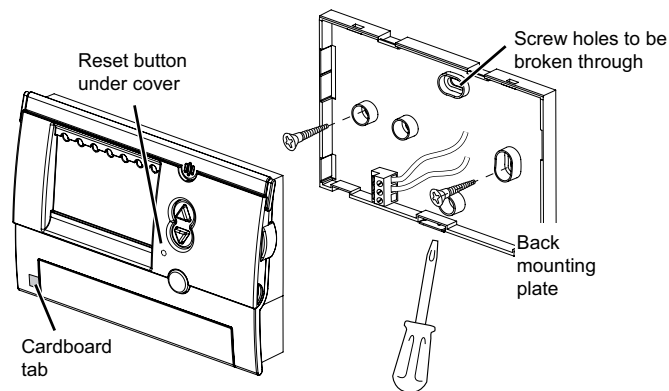
Class V when used in isolation. Class VI when used in conjunction with Weather Compensation.
Contribution to Seasonal Space Heating Energy Efficiency - 3% (Class V), 4% (Class VI)

INSTALLING THE PROGRAMMABLE ROOM THERMOSTAT (2 CHANNEL)

1. Select a suitable position for the room thermostat by considering that it should be 1.5m high on a wall located in the space to be heated. Avoid locations affected by draughts created by windows/doors, or heating effects created by independent heaters. It is advisable to not have TRV's fitted on radiators in the same room space.
2. Remove the wall mounting panel from the rear of the room thermostat by using a flat head screwdriver.
3. Once a suitable location is found secure the control to the wall mounting panel to the wall.
4. Connect the wiring to the terminals marked "OT-Bus".
5. Clip the control onto the wall mounting panel.

Notes.

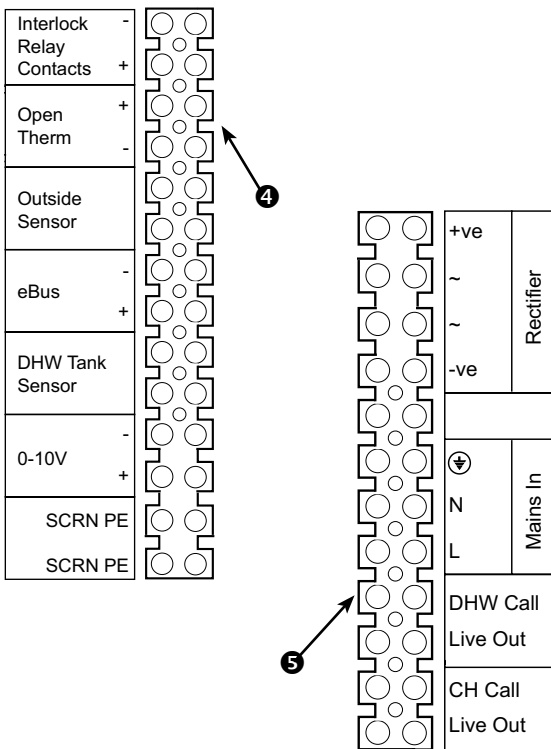
- *If there is no communication between the control and the boiler check the LCD on the control which will display any faults.*



Once installation of the programmer is complete,
refer to programmer user guide for setup

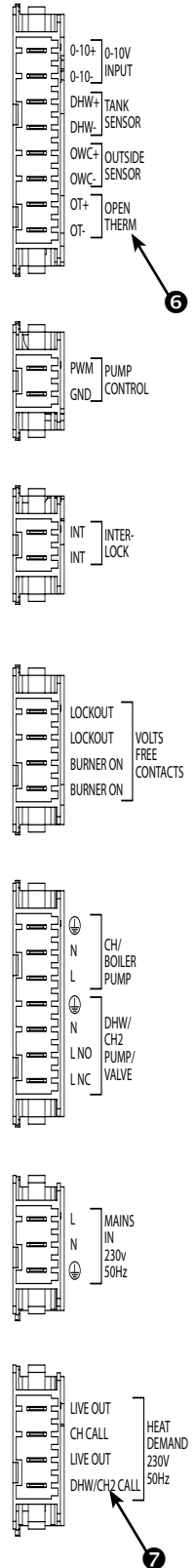
EVOMAX WIRING

1. Switch off and disconnect the electricity supply to the boiler and any external controls.
2. Press the centre of the lower casing door to unlatch the magnetic catch and lower it.
3. Remove the 2 screws from the control fascia and remove the front panel.
4. Connect the wiring to the programmable room thermostat (2 channel) to the OpenTherm Connections.
5. If DHW temperature is to be controlled by a thermostat this should be connected using a live feed to the connections shown below.
6. See Tank Sensor instructions if a tank sensor is to be used.
7. Re-assemble the boiler front panels in reverse order.



IMAX XTRA EL WIRING

1. Switch off and disconnect the electricity supply to the boiler and any external controls.
2. Slide up and remove the User Interface pod on the front of the boiler.
3. Remove the two screws securing the front door, lift the front door to disengage the two lower tabs within the slots of the chassis. Remove the door and place to one side.
4. Remove the two securing screws from the left hand side of the Installer connection cover.
5. Route the external programmable room thermostat signal control cable onto the boiler control panel through the low voltage cable conduit running from the rear of the boiler on the left side.
6. Wire the cable directly to the plug located in the terminals shown in the diagram. Anchor the cable using one of the cable clamps provided on the control panel.
7. If DHW temperature is to be controlled by a thermostat this should be connected using a live feed to the connections shown below.
8. See Tank Sensor instructions if a tank sensor is to be used.
9. Re-assemble the boiler front panels in reverse order.



TROUBLE SHOOTING

FAULT	ACTION
Central Heating will not switch on	Check that the power to the boiler is switched on. The programmer display should be on.
	Ensure that the boiler user interface is set to "Winter"
	Check that the programmer is set to "P1" or if set to "P2" is in a programmed on period
	Increase the room temperature is set to 30°C (press the "+" key on the programmer until temperature = 30°C)
Central Heating will not switch off	Check that the programmer is set to "P3" or "P4" or if set to "P2" is in a programmed off period.
Hot Water will not switch on	Check that the power to the boiler is switched on. The programmer display should be on.
	Ensure that the user interface is set to "Summer" or "Winter".
	Check that the programmer is set to "P1" or "P3" or is in a programmed on period.
	Check that the DHW Thermostat or Tank Sensor is calling for heat.
Hot Water will not switch off	Check that the programmer is in a programmed off period and set to "P2" or "P4".
	Check that the DHW Thermostat or Tanks Sensor is currently located and not calling for heat.



WEEE DIRECTIVE 2012/19/EC

Waste Electrical and Electronic Equipment Directive

- At the end of the product life, dispose of the packaging and product in a corresponding recycling centre.
- Do not dispose of the unit with the usual domestic refuse.
- Do not burn the product.
- Remove the batteries.
- Dispose of the batteries according to the local statutory requirements and not with the usual domestic refuse.

Technical Training

The Ideal Boilers Technical Training Centre offers a series of first class training courses for domestic, commercial and industrial heating installers, engineers and system specifiers. For details of courses please ring: 01482 498 432

Ideal Boilers Ltd., P.O. Box 103, National Ave, Kingston upon Hull, HU5 4JN. Telephone: 01482 492 251 Fax: 01482 448 858. Registration No. London 322 137.

Ideal Boilers Ltd. pursues a policy of continuing improvement in the design and performance of its products. The right is therefore reserved to vary specification without notice.



Ideal Installer/Technical Helpline: 01482 498 376
www.idealcommercialboilers.com