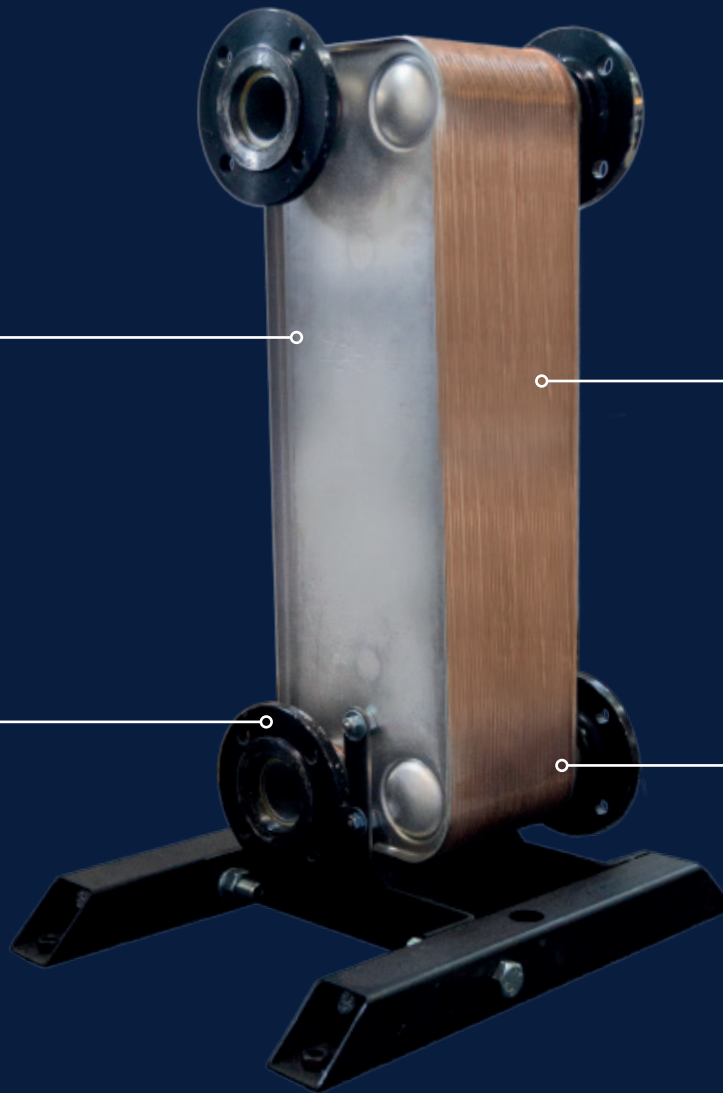


BRAZED PLATE HEAT EXCHANGER

750kW



Compact design



Separates system
water from the boiler



Low maintenance
and self-cleaning

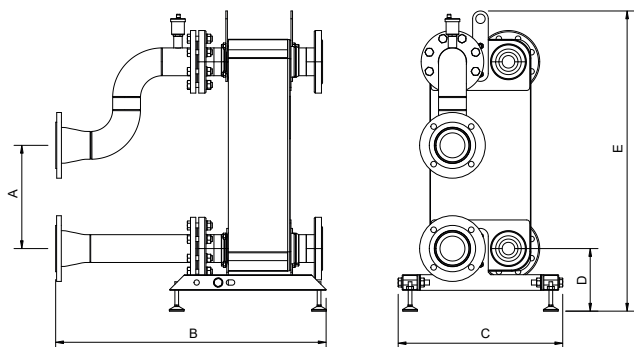


Used with Ideal
Heating Cascade kits

BRAZED PLATE HEAT EXCHANGER 750kW

TECHNICAL SPECIFICATIONS

750kW is the nominal capacity of the plate heat exchanger applying the operating conditions shown below. Please contact Ideal Heating to confirm the expected performance if the operating conditions differ from those shown.



DIMENSIONS

	DIM A	DIM B	DIM C	DIM D	DIM E
DN100	330	830	520	200	959
DN150	330	872	520	200	960

	UNITS	HOT SIDE	COLD SIDE
Mass flow rate	kg/s	8.975	8.983
Inlet temperature	°C	80.0	50.0
Outlet temperature	°C	60.0	70.0
Pressure drop	kPa	14.5	20.2
Heat exchanged	kW	750	
Heat transfer area	m ²	17.64	
Flow configuration		Countercurrent	
Number of plates / thickness		72 / 0.3mm	
Number of passes		1	1
Pressure vessel code		PED	
Design pressure at 90.00 Celsius	Bar	19.0	19.0
Design pressure at 225.0 Celsius	Bar	15.0	15.0
Design temperature	°C	-196.0 / 225.0	
Overall length x width x height	mm	365 x 324 x 959	
Net weight, empty / operating	kg	66.1 / 103	

STANDARD MATERIALS

Cover plates	Stainless steel
Connections	Stainless steel
Plates	Stainless steel
Brazing	Copper

CONNECTIONS

FRAME & HEADER

Evomax 2	DN50	DN65	DN80	DN100	DN150
----------	------	------	------	-------	-------

Standard Height Cascade				✓	
-------------------------	--	--	--	---	--

Low Height Cascade					
--------------------	--	--	--	--	--

Imax Xtra 2	DN50	DN65	DN80	DN100	DN150
-------------	------	------	------	-------	-------

Cascade				✓	✓
---------	--	--	--	---	---

SYSTEM

DN80					
------	--	--	--	--	--

FLANGED

PN25					
------	--	--	--	--	--

GET A QUOTE     

idealheating.com | 01482 492251 | commercial@idealheating.com

welcome to our ideology