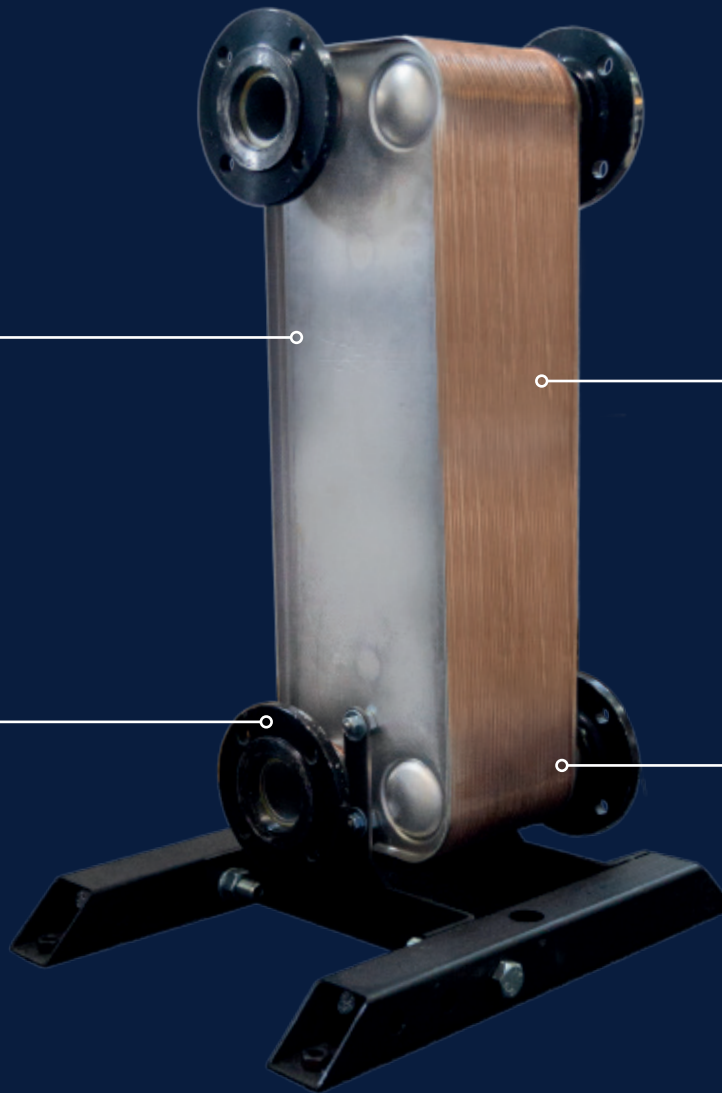


BRAZED PLATE HEAT EXCHANGER

600kW



Compact design



Separates system
water from the boiler



Low maintenance
and self-cleaning

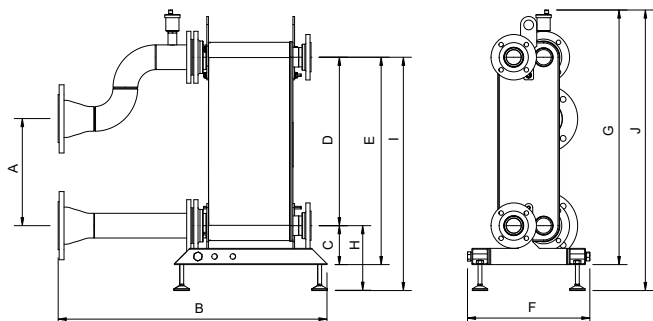


Used with Ideal
Heating Cascade kits

BRAZED PLATE HEAT EXCHANGER 600kW

TECHNICAL SPECIFICATIONS

600kW is the nominal capacity of the plate heat exchanger applying the operating conditions shown below. Please contact Ideal Heating to confirm the expected performance if the operating conditions differ from those shown.



DIMENSIONS

	DIM A	DIM B	DIM C	DIM D	DIM E	DIM F	DIM G	DIM H	DIM I	DIM J
DN100	330	828	120	519	639	377	785	199	719	865

	UNITS	HOT SIDE	COLD SIDE
Mass flow rate	kg/s	7.180	7.186
Inlet temperature	°C	80.0	50.0
Outlet temperature	°C	60.0	70.0
Pressure drop	kPa	14.8	18.8
Heat exchanged	kW	600	
Heat transfer area	m ²	10.53	
Flow configuration		Countercurrent	
Number of plates / thickness		96 / 0.3mm	
Number of passes		1	1
Pressure vessel code		PED	
Design pressure at 90.00 Celsius	Bar	30.0	30.0
Design pressure at 225.0 Celsius	Bar	25.0	25.0
Design temperature	°C	-196.0 / 225.0	
Overall length x width x height	mm	344 x 191 x 697	
Net weight, empty / operating	kg	40.6 / 60.1	

STANDARD MATERIALS

Cover plates	Stainless steel
Connections	Stainless steel
Plates	Stainless steel
Brazing	Copper

CONNECTIONS

FRAME & HEADER

Evomax 2	DN50	DN65	DN80	DN100
Standard Height Cascade				✓
Low Height Cascade				✓
Imax Xtra 2	DN50	DN65	DN80	DN100
Cascade				✓

SYSTEM

DN50

FLANGED

PN6

GET A QUOTE     

idealheating.com | 01482 492251 | commercial@idealheating.com

welcome to our ideology