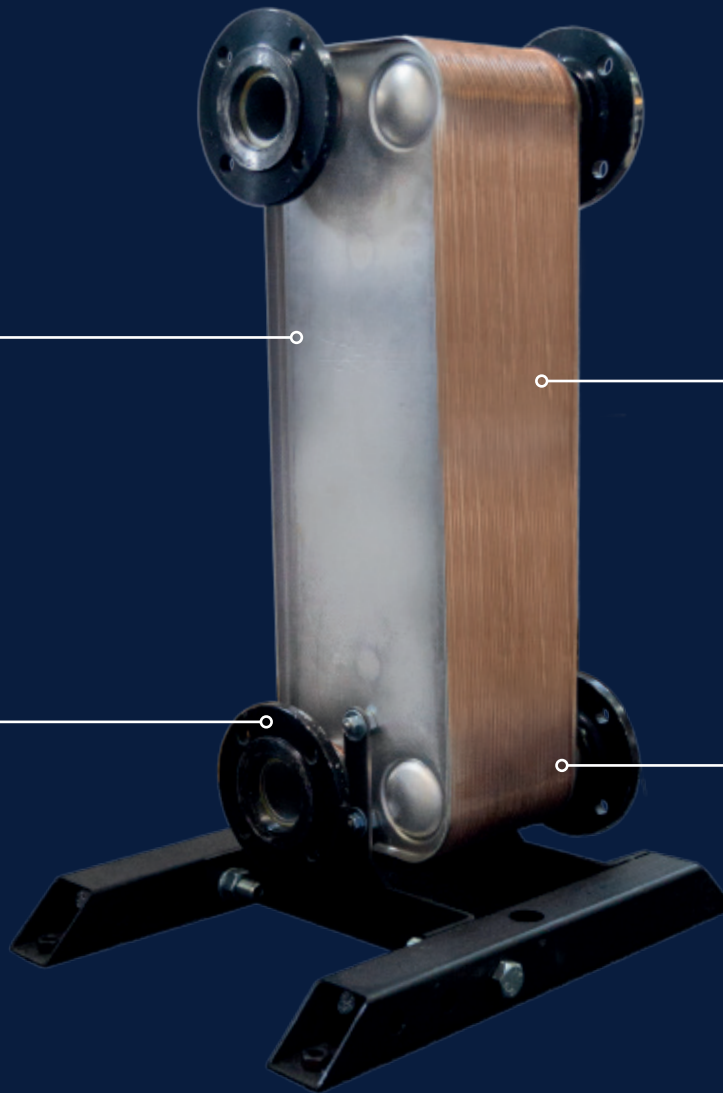


BRAZED PLATE HEAT EXCHANGER

450kW



Compact design



Separates system
water from the boiler



Low maintenance
and self-cleaning

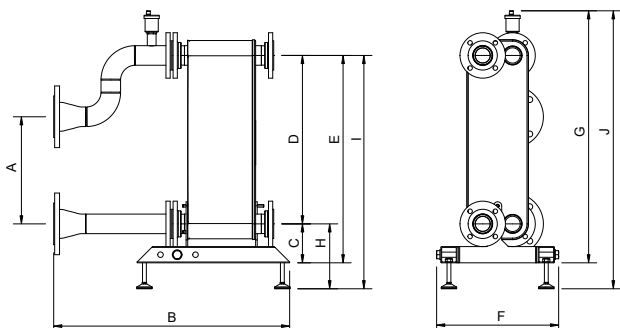


Used with Ideal
Heating Cascade kits

BRAZED PLATE HEAT EXCHANGER 450kW

TECHNICAL SPECIFICATIONS

450kW is the nominal capacity of the plate heat exchanger applying the operating conditions shown below. Please contact Ideal Heating to confirm the expected performance if the operating conditions differ from those shown.



DIMENSIONS

| | DIM A | DIM B | DIM C | DIM D | DIM E | DIM F | DIM G | DIM H | DIM I | DIM J |
|-------|-------|-------|-------|-------|-------|-------|-------|-------|-------|-------|
| DN80 | 330 | 727 | 120 | 519 | 639 | 376 | 777 | 200 | 719 | 857 |
| DN100 | 330 | 739 | 120 | 519 | 639 | 376 | 777 | 200 | 719 | 857 |

| | UNITS | HOT SIDE | COLD SIDE |
|----------------------------------|----------------|-----------------|-----------|
| Mass flow rate | kg/s | 5.385 | 5.390 |
| Inlet temperature | °C | 80.0 | 50.0 |
| Outlet temperature | °C | 60.0 | 70.0 |
| Pressure drop | kPa | 13.7 | 14.3 |
| Heat exchanged | kW | 450 | |
| Heat transfer area | m ² | 8.29 | |
| Flow configuration | | Countercurrent | |
| Number of plates / thickness | | 76 / 0.3mm | |
| Number of passes | | 1 | 1 |
| Pressure vessel code | | PED | |
| Design pressure at 90.00 Celsius | Bar | 30.0 | 30.0 |
| Design pressure at 225.0 Celsius | Bar | 32.0 | 32.0 |
| Design temperature | °C | -196.0 / 225.0 | |
| Overall length x width x height | mm | 293 x 191 x 616 | |
| Net weight, empty / operating | kg | 33.0 / 48.4 | |

STANDARD MATERIALS

| | |
|--------------|-----------------|
| Cover plates | Stainless steel |
| Connections | Stainless steel |
| Plates | Stainless steel |
| Brazing | Copper |

CONNECTIONS

| FRAME & HEADER | DN50 | DN65 | DN80 | DN100 |
|-------------------------|------|------|------|-------|
| Evomax 2 | | | | |
| Standard Height Cascade | | | ✓ | ✓ |
| Low Height Cascade | | | ✓ | ✓ |
| Imax Xtra 2 | DN50 | DN65 | DN80 | DN100 |
| Cascade | | | ✓ | ✓ |
| SYSTEM | | | | |
| DN50 | | | | |
| FLANGED | | | | |
| PN6 | | | | |

GET A QUOTE     

idealheating.com | 01482 492251 | commercial@idealheating.com

welcome to our ideology