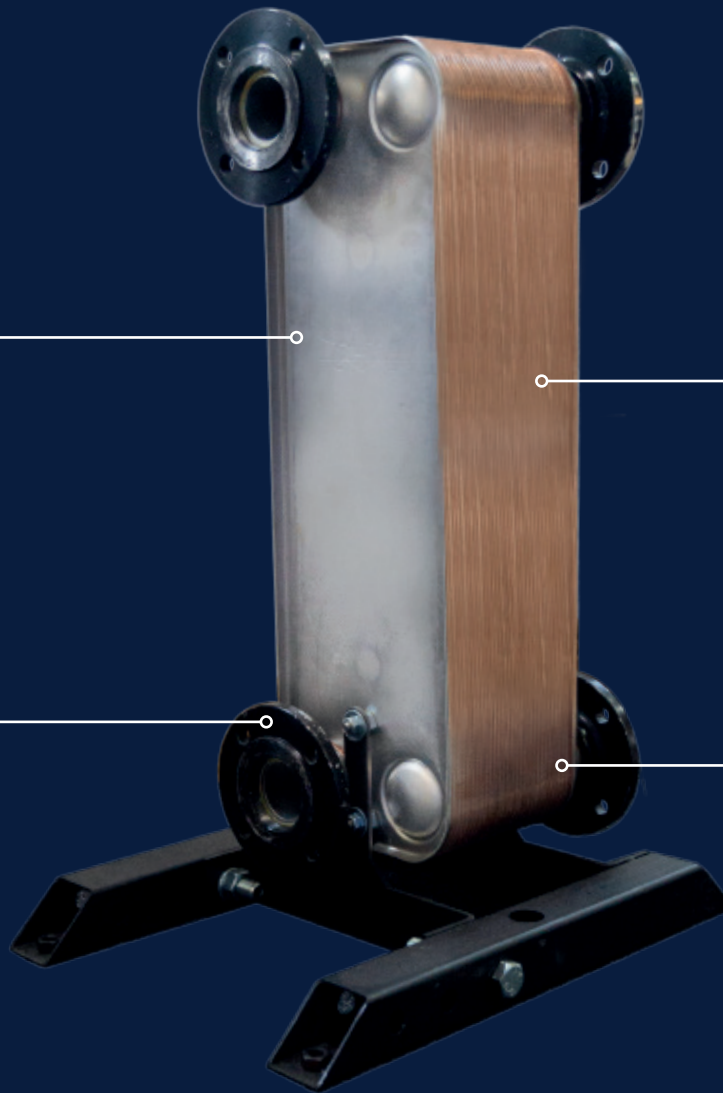


BRAZED PLATE HEAT EXCHANGER

1200kW



Compact design



Separates system
water from the boiler



Low maintenance
and self-cleaning

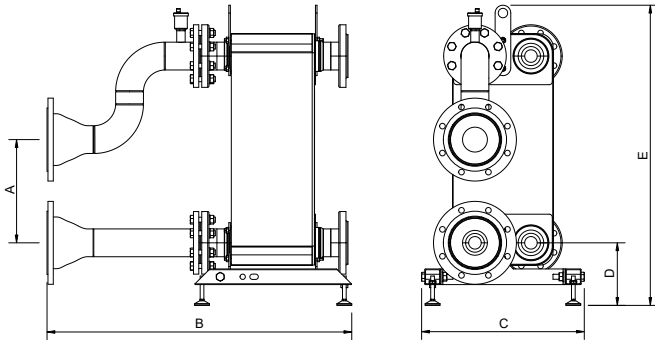


Used with Ideal
Heating Cascade kits

BRAZED PLATE HEAT EXCHANGER 1200kW

TECHNICAL SPECIFICATIONS

1200kW is the nominal capacity of the plate heat exchanger applying the operating conditions shown below. Please contact Ideal Heating to confirm the expected performance if the operating conditions differ from those shown.



DIMENSIONS

	DIM A	DIM B	DIM C	DIM D	DIM E
DN150	330	974	520	200	960

	UNITS	HOT SIDE	COLD SIDE
Mass flow rate	kg/s	13.40	13.41
Inlet temperature	°C	80.0	50.0
Outlet temperature	°C	60.0	70.0
Pressure drop	kPa	13.5	17.8
Heat exchanged	kW	1120	
Heat transfer area	m ²	29.74	
Flow configuration		Countercurrent	
Number of plates / thickness		120 / 0.3 mm	
Number of passes		1	1
Pressure vessel code		PED	
Design pressure at 90.00 Celsius	Bar	19.0	19.0
Design pressure at 225.0 Celsius	Bar	15.0	15.0
Design temperature	°C	-196.0 / 225.0	
Overall length x width x height	mm	468 x 324 x 959	
Net weight, empty / operating	kg	95.2 / 157	

STANDARD MATERIALS

Cover plates	Stainless steel
Connections	Stainless steel
Plates	Stainless steel
Brazing	Copper

CONNECTIONS

FRAME & HEADER

Imax Xtra 2	DN50	DN65	DN80	DN100	DN150
Cascade					✓

SYSTEM

DN80

FLANGED

PN25

GET A QUOTE     

idealheating.com | 01482 492251 | commercial@idealheating.com

welcome to our ideology