

# BRAZED PLATE HEAT EXCHANGER

900kW



Compact design



Separates system water from the boiler



Low maintenance and self-cleaning

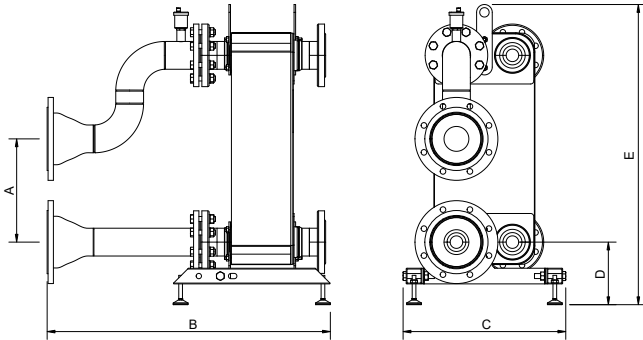


Used with Ideal Heating Cascade kits

# BRAZED PLATE HEAT EXCHANGER 900kW

## TECHNICAL SPECIFICATIONS

900kW is the nominal capacity of the plate heat exchanger applying the operating conditions shown below. Please contact Ideal Heating to confirm the expected performance if the operating conditions differ from those shown.



## DIMENSIONS

	DIM A	DIM B	DIM C	DIM D	DIM E
DN100	330	866	520	200	960
DN150	330	903	520	200	960

	UNITS	HOT SIDE	COLD SIDE
Mass flow rate	kg/s	10.8	10.8
Inlet temperature	°C	80	50
Outlet temperature	°C	60	70
Pressure drop	kPa	14.6	19.9
Heat exchanged	kW	900	
Heat transfer area	m <sup>2</sup>	21.7	
Flow configuration		Countercurrent	
Number of plates / thickness		88 / 0.3 mm	
Number of passes		1	1
Pressure vessel code		PED	
Design pressure at 90.00 Celsius	Bar	19	19
Design pressure at 225.0 Celsius	Bar	15	15
Design temperature	°C	-196.0 / 225.0	
Overall length x width x height	mm	359 x 324 x 959	
Volume	L	28.0	17.9
Net weight, empty / operating	kg	75.8 / 121	

## STANDARD MATERIALS

Cover plates	Stainless steel
Connections	Stainless steel
Plates	Stainless steel
Brazing	Copper

### PLEASE NOTE:

The plate heat exchangers are to be used for system separation only. They must not be used for the direct production of domestic hot water.

They should not be used for direct heating of swimming pool water where the chlorinated pool water would pass directly through the plate heat exchanger.

## CONNECTIONS

FRAME & HEADER					
EVOMAX 2	DN50	DN65	DN80	DN100	DN150
Standard Height Cascade				✓	
Low Height Cascade					
IMAX XTRA 2	DN50	DN65	DN80	DN100	DN150
Cascade					✓

SYSTEM	FLANGED
DN100	PN16

GET A QUOTE

[idealcommercialheating.com](http://idealcommercialheating.com) | 03330 040 393 | [commercial@idealheating.com](mailto:commercial@idealheating.com)

Calls cost no more than calls to geographic numbers (01 or 02) and will be included in any inclusive minutes you have with your telephone service provider.