

# BRAZED PLATE HEAT EXCHANGER

600kW



Compact design



Separates system water from the boiler



Low maintenance and self-cleaning

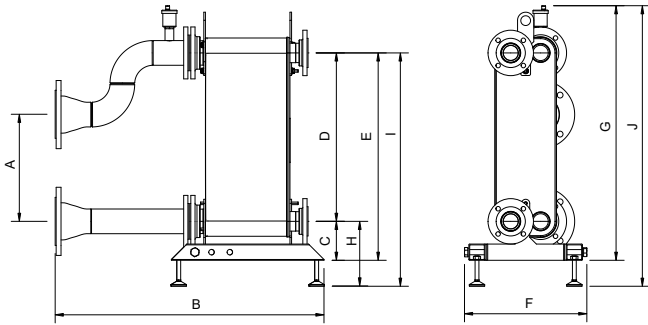


Used with Ideal Heating Cascade kits

# BRAZED PLATE HEAT EXCHANGER 600kW

## TECHNICAL SPECIFICATIONS

600kW is the nominal capacity of the plate heat exchanger applying the operating conditions shown below. Please contact Ideal Heating to confirm the expected performance if the operating conditions differ from those shown.



## DIMENSIONS

	DIM A	DIM B	DIM C	DIM D	DIM E	DIM F	DIM G	DIM H	DIM I	DIM J
DN100	330	828	120	519	639	377	785	199	719	865

	UNITS	HOT SIDE	COLD SIDE
Mass flow rate	kg/s	7.18	7.19
Inlet temperature	°C	80	50
Outlet temperature	°C	60	70
Pressure drop	kPa	14.8	17.3
Heat exchanged	kW	600	
Heat transfer area	m <sup>2</sup>	10.5	
Flow configuration		Countercurrent	
Number of plates / thickness		96 / 0.3mm	
Number of passes		1	1
Pressure vessel code		PED	
Design pressure at 90.00 Celsius	Bar	30	30
Design pressure at 225.0 Celsius	Bar	25	25
Design temperature	°C	-196.0 / 225.0	
Overall length x width x height	mm	344 x 191 x 697	
Volume	L	10.1	9.9
Net weight, empty / operating	kg	40.1 / 59.7	

## STANDARD MATERIALS

Cover plates	Stainless steel
Connections	Stainless steel
Plates	Stainless steel
Brazing	Copper

### PLEASE NOTE:

The plate heat exchangers are to be used for system separation only. They must not be used for the direct production of domestic hot water.

They should not be used for direct heating of swimming pool water where the chlorinated pool water would pass directly through the plate heat exchanger.

## CONNECTIONS

FRAME & HEADER				
EVOMAX 2	DN50	DN65	DN80	DN100
Standard Height Cascade				✓
Low Height Cascade				✓
IMAX XTRA 2	DN50	DN65	DN80	DN100
Cascade				✓

SYSTEM	FLANGED
DN50	PN6

GET A QUOTE

[idealcommercialheating.com](http://idealcommercialheating.com) | 03330 040 393 | [commercial@idealheating.com](mailto:commercial@idealheating.com)