

ideal

HEATING

COMMERCIAL

BRAZED PLATE HEAT EXCHANGER

1200kW



Compact design



Separates system water from the boiler



Low maintenance and self-cleaning

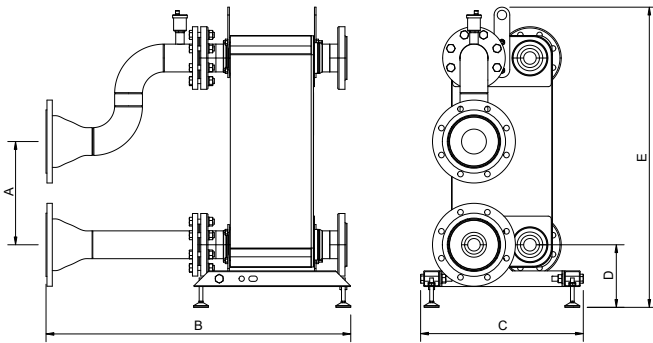


Used with Ideal Heating Cascade kits

BRAZED PLATE HEAT EXCHANGER 1200kW

TECHNICAL SPECIFICATIONS

1200kW is the nominal capacity of the plate heat exchanger applying the operating conditions shown below. Please contact Ideal Heating to confirm the expected performance if the operating conditions differ from those shown.



DIMENSIONS

	DIM A	DIM B	DIM C	DIM D	DIM E
DN150	330	971	520	200	960

	UNITS	HOT SIDE	COLD SIDE
Mass flow rate	kg/s	14.4	14.4
Inlet temperature	°C	80	50
Outlet temperature	°C	60	70
Pressure drop	kPa	15.3	20.2
Heat exchanged	kW	1200	
Heat transfer area	m ²	29.7	
Flow configuration		Countercurrent	
Number of plates / thickness		120 / 0.3 mm	
Number of passes		1	1
Pressure vessel code		PED	
Design pressure at 90.00 Celsius	Bar	19	19
Design pressure at 225.0 Celsius	Bar	15	15
Design temperature	°C	-196.0 / 225.0	
Overall length x width x height	mm	428 x 324 x 959	
Volume	L	38.2	24.5
Net weight, empty / operating	kg	95.2 / 157	

STANDARD MATERIALS

Cover plates	Stainless steel
Connections	Stainless steel
Plates	Stainless steel
Brazing	Copper

PLEASE NOTE:

The plate heat exchangers are to be used for system separation only. They must not be used for the direct production of domestic hot water.

They should not be used for direct heating of swimming pool water where the chlorinated pool water would pass directly through the plate heat exchanger.

CONNECTIONS

FRAME & HEADER					
IMAX XTRA 2	DN50	DN65	DN80	DN100	DN150
Cascade					✓

SYSTEM	FLANGED
DN100	PN16

GET A QUOTE

idealcommercialheating.com | 03330 040 393 | commercial@idealheating.com