



# USER GUIDE

**HARRIER GTS**  
**VICEROY GTS**  
**VISCOUNT GTS**

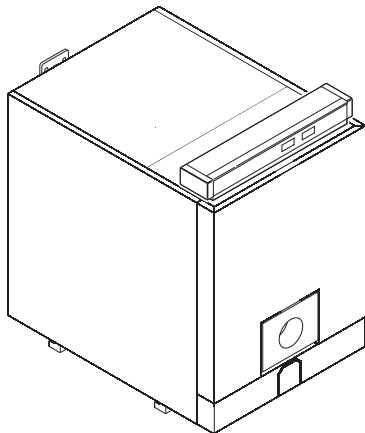
When replacing any part on this appliance, use only spare parts that you can be assured conform to the safety and performance specification that we require. Do not use reconditioned or copy parts that have not been clearly authorised by Ideal.

For the very latest copy of literature for specification and maintenance practices visit our website [www.idealcommercialboilers.com](http://www.idealcommercialboilers.com) where you can download the relevant information in PDF format.

## Harrier GTS

(Gas and Fuel Oil)

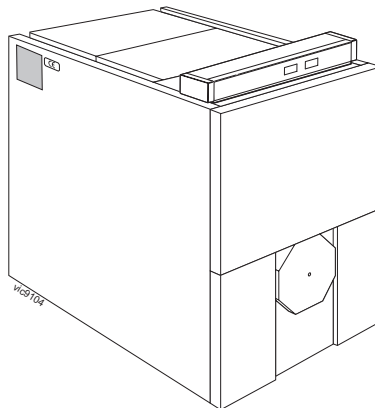
Destination Countries: GB, IE



## Viceroy GTS

(Gas and Fuel Oil)

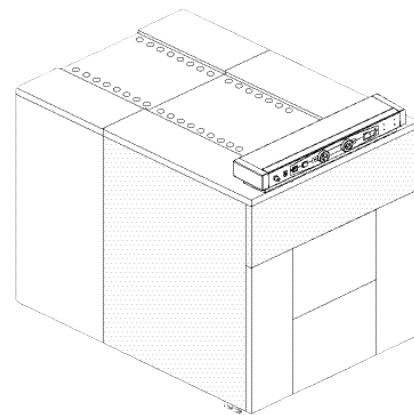
Destination Countries: GB, IE



## Viscount GTS

(Gas and Fuel Oil or Dual Fuel Fired)

Destination Countries: GB, IE



### INTRODUCTION

The **Harrier GTS**, **Viceroy GTS** and **Viscount GTS** are floor-standing boilers featuring full sequence automatic gas or fuel oil burners.

### SAFETY

*It is essential that the instructions in this booklet are strictly followed, for safe and economical operation of the boiler.*

### FOR GAS FIRED BOILERS

**Current Gas Safety (Installation & Use) Regulations or rules in force.**

In your own interest, and that of safety, it is the law that this boiler must be installed and maintained by a Gas Safe registered installer, in accordance with the above regulations.

The appliance should be serviced at least once a year by a Gas Safe registered installer.

### Electricity Supply

The appliance must be earthed.

Supply 230 V - 50 Hz.

The appliance is intended to be connected to the supply via a double-pole switch, having a 3mm contact separation in both poles, serving only the boiler and system controls. Alternatively, a 3-pin UNSWITCHED socket may be used.

The burner and circulating pumps may be 1ph or 3ph.

### Important Notes

- Do not store objects around or on the boiler, and keep access clear at all times.
- Do not obstruct ventilation ducts, grilles or openings in the boiler room or the passage of combustion and ventilation air to the boiler.

- Do not turn off the boiler if it is to be left unattended in frosty weather.
- If it is known or suspected that a fault exists on the boiler then it **MUST NOT BE USED** until the fault has been corrected by a recognised installer (Gas Safe registered for gas-fired boilers).
- Flammable materials must not be placed in close proximity to the appliance. Materials giving off flammable vapours must not be stored in the same room as the appliance.

In cases of repeated or continuous shutdown, a recognised installer (Gas Safe registered for gas-fired boilers) should be called to investigate and rectify the condition causing this and carry out an operational test after each intervention on the device. Only the manufacturer's original parts should be used for replacement.

### Minimum Clearances

#### Harrier GTS:

Clearances of **1000mm (40")** at the rear, **200mm (8")** plus burner projection on burner hinge side or **500mm (20")** whichever is the greater on one side and **100mm (4")** on the other side and **1500mm (60")** at the front of the boiler casing must be allowed for servicing.

#### Viceroy GTS:

Clearances of **1000mm (40")** at the rear, **200mm (8")** plus burner projection on burner hinge side or **500mm (20")** whichever is the greater on one side and **100mm (4")** on the other side and **1500mm (60")**, GTS 8; **2000mm (78")**, GTS 9, GTS 10 and GTS 11; **2500mm (98")** GTS 12, GTS 13 and GTS 14 at the front of the boiler casing must be allowed for servicing.

#### Viscount GTS:

Clearances of **300mm (12")**, GTS14; **436mm (17")**, GTS15 and GTS16; **656mm (26")**, GTS17, 18 and 19; **936mm (37")**, GTS20, 21 and 22; **1266mm (50")**, GTS23, 24 and 25 at the rear, **1200mm (48")** on the burner door hinge side plus allowance depending on burner projections and **500mm (20")** on the other side and **1500mm (60")** plus allowance depending on burner projection at the front of the boiler casing must be allowed for servicing.

### To Light the Boiler (Refer to Frame 1)

All **Gas Safe Registered Engineers** carry a Gas Safe Register ID card, and have a registration number.

Both should be recorded in your Log Book. You can check your installer by calling Gas Safe Register direct on 0800 4085500.

**CAUTION. To avoid the possibility of injury during the installation, servicing or cleaning of this appliance care should be taken when handling edges of sheet steel components**

1. CHECK THAT THE ELECTRICITY SUPPLY TO THE BOILER IS OFF.
2. Set the boiler on/off switch (1) to OFF.
3. Set the boiler flow temperature control (3A) to maximum (1st stage control if high/low burner fitted).
4. Switch on the electricity supply to the boiler and check that all external controls, e.g. programmer, room thermostat etc., are on.
5. Set the boiler on/off switch (1) to ON.  
The boiler will commence the ignition sequence, supplying heat to the system when required.  
**Note.** If the burner does not ignite refer to the burner instructions.
6. Set the boiler flow temperature control (3A) to the desired setting. If a high/low burner is fitted, set the 2nd stage

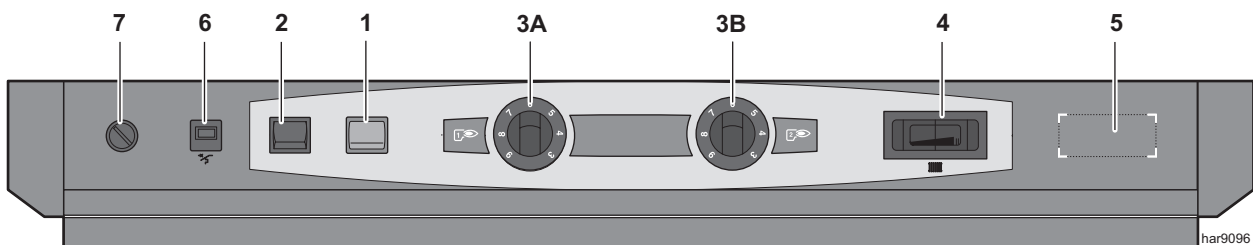
temperature control (3B) to a setting 5°C lower.

Settings below 4 (approx. 40°C) are not recommended, in order to avoid the risk of combustion products condensing on the walls of the boiler.

## 7. Burner

Refer to the instructions supplied with the burner for specific control features.

## 1 BOILER CONTROLS



- |  |  |
|--|--|
| <ol style="list-style-type: none"> <li>1. <b>Boiler ON/OFF switch.</b><br/>Position ① .....ON Position ② .....OFF</li> <li>2. <b>TEST STB:</b><br/>When held in the pressed (momentary use) position it tests the safety thermostat.<br/><b>Note.</b> If two stage burner control fitted operation will continue on 1st stage after 2nd stage cut-off.</li> <li>3. <b>Boiler Thermostats:</b><br/>Adjustment range 30-90°C<br/>For ON/OFF burners use 1st stage thermostat only.<br/>For two stage burners set 2nd stage 5°C below 1st stage setting.</li> </ol> | <ol style="list-style-type: none"> <li>4. <b>Boiler Thermometer</b></li> <li>5. <b>Location for Flue Gas Thermometer (Optional)</b></li> <li>6. <b>Timed Circuit Breaker:</b><br/>10A with delayed action and manual reset.</li> <li>7. <b>Safety Thermostat:</b><br/>Set at 110°C. Manual reset.</li> </ol> |
|--|--|

## 2 CONTROL OF WATER TEMPERATURE

The water temperature is controlled by the boiler thermostat (item 3A). The temperature range of the thermostat is 30 - 90°C for ON/OFF operation. For boilers fitted with high/low burners, a 2nd stage thermostat controls the burner changeover from high to low fire at a recommended setting 5°C lower than the maximum flow temperature setting.

### Note.

The setting numbers 3-9 are approximately scaled to represent 30-90°C.

## **To Shut Down the Boiler**

### **1. For short periods**

Set the boiler on/off switch (1) to OFF.

### **2. For longer periods**

Set the boiler on/off switch (1) to OFF. Switch the electricity supply to OFF. For longer periods the entire system should be drained.

## **To Relight the Boiler**

Refill the system if it has been drained, taking care to ensure no air is in the boiler or system.

Repeat the procedure detailed in 'To light the boiler'.

## **Frost Protection**

If frost is likely and dependant on the system controls, which may incorporate suitable safety features, leave the boiler thermostat at a reduced temperature setting. Ensure external controls allow the boiler to operate if necessary. Note that this may not protect remote parts of the system, in which case a separate frost thermostat should be fitted or the system drained and the boiler shut down, as for Long Periods.

## **Boiler Overheat Thermostat**

Boiler overheating is detected by the overheat thermostat connected to the boiler control module. If the boiler has overheated, allow it to cool then, press the safety thermostat reset button, under the screw top cap (7), and the burner will relight. If the fault recurs, turn off the boiler and consult a recognised installer (Gas Safe registered for gas-fired boilers.)

## **Escape of Gas**

Should a gas leak or fault be suspected contact your local gas supplier without delay.

**Do NOT search for gas leaks with a naked flame.**

## **Cleaning**

For normal cleaning simply dust with a dry cloth.

To remove stubborn marks and stains use a damp cloth and mild detergent.

DO NOT use abrasive cleaning materials.



Ideal Boilers Ltd. pursues a policy of continuing improvement in the design and performance of its products. The right is therefore reserved to vary specification without notice.

Ideal is a trademark of Ideal Boilers.

Registered Office

Ideal Boilers Ltd., PO Box 103, National Avenue, Kingston Upon Hull, HU5 4JN

Tel 01482 492251 Fax 01482 448858

Registration No. London 322 137

Ideal Technical Helpline: 01482 498376

[www.idealcommercialboilers.com](http://www.idealcommercialboilers.com)