

# GRUNDFOS UPMXXL PHEX PUMP KIT



Low energy consumption



Compact size



Low flow noise



High efficiency



Cascade compatible

# Features & specification

For Evomax 2 Cascades installed with Ideal Heating Plate Heat Exchanger.

## TECHNICAL SPECIFICATION

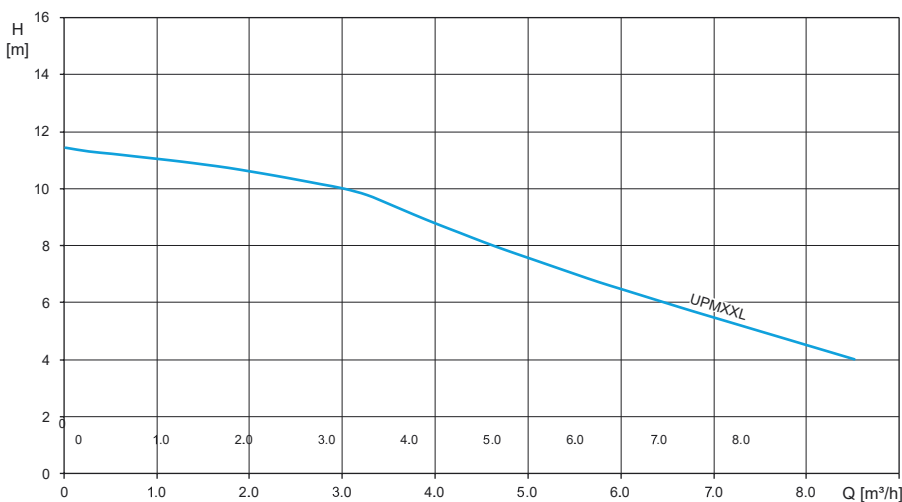
<b>UIN</b>	222660
<b>CONNECTIONS</b>	G 1 ½
<b>SYSTEM PRESSURE</b>	Max. 1.0 MPa (10 bar)
<b>MAXIMUM INLET PRESSURE</b>	0.01 MPa (0.10 bar) at 95°C liquid temperature
<b>LIQUID PRESSURE</b>	-10°C to +95°C (TF 95)
<b>MOTOR PROTECTION</b>	Overload protection
<b>NET WEIGHT</b>	3.2kg
<b>ENCLOSURE CLASS</b>	IPX2D
<b>INSULATION CLASS</b>	H
<b>EQUIPMENT CLASS</b>	I
<b>APPROVAL AND MARKING</b>	VDE, CE
<b>QUANTITY NEEDED</b>	1 per boiler on Cascade

Compatible with PWM speed control for use with Evomax 2 boilers.

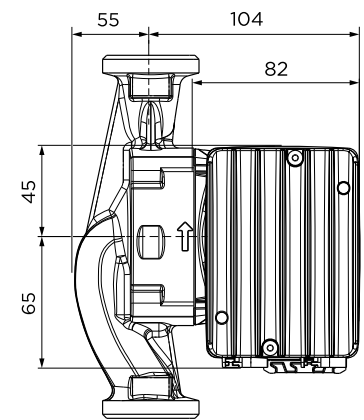
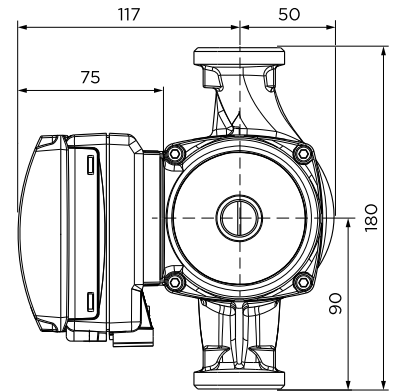
Supplied with:

- 0-10V/PWM wiring harness
- 2 x washers

## PERFORMANCE OVERVIEW



## DIMENSIONS & CLEARANCES



## CONTROL BOX POSITIONS

