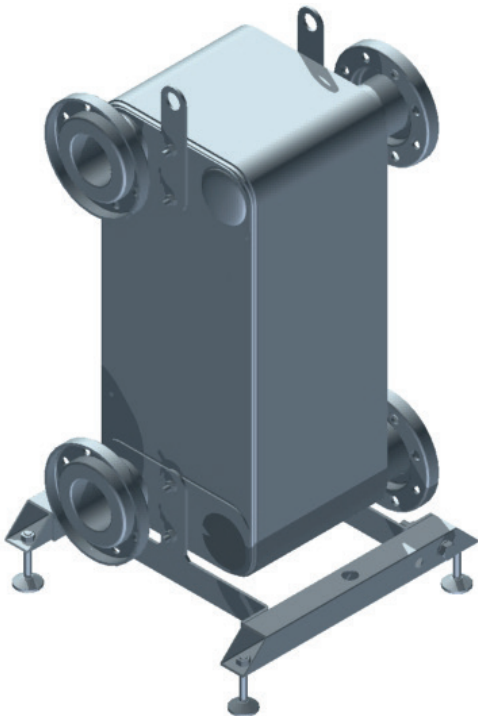


BRAZED PLATE HEAT EXCHANGER

900kW*



Covering outputs of 60, 150, 300, 450, 600, 750 and 900kW. Brazed Plate Heat Exchangers ensure optimum heat transfer efficiency and low resistance within a compact footprint. To be used with Ideal Commercial Frame and Header kits.

FEATURES & BENEFITS

- Compact design
- No gaskets
- Low maintenance and self-cleaning
- All units are pressure tested
- To be used with Ideal Commercial Frame and Header kits
- Ensures optimal heat transfer efficiency and pressure resistance
- Separates system water from the boiler
- Ensures the highest performance for longest possible service life

DIMENSIONS

The dimensions below represent the Plates only.



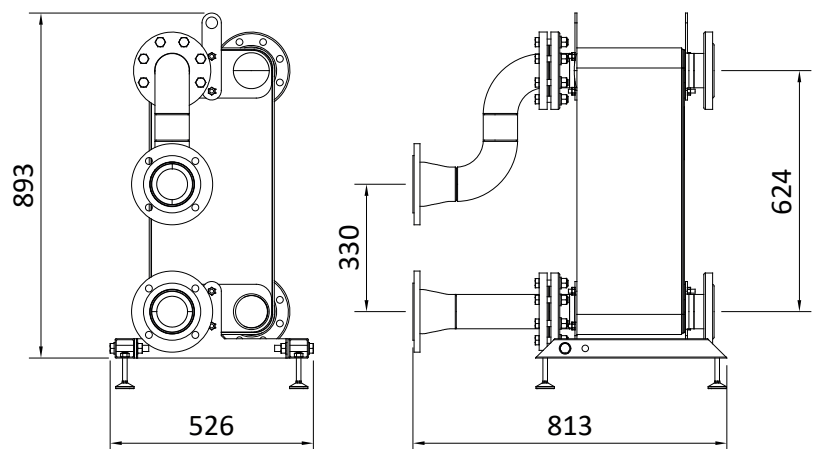
LENGTH
441mm



WIDTH
324mm



HEIGHT
990mm



BRAZED PLATE HEAT EXCHANGER 900kW

SPECIFICATIONS

TECHNICAL SPECIFICATION

		HOT SIDE	COLD SIDE
Mass flow rate	kg/s	10.77	10.78
Inlet temperature	°C	80.0	50.0
Outlet temperature	°C	60.0	70.0
Pressure drop	kPa	13.5	14.5
Heat exchanged	kW	900	
Heat transfer area	m ²	21.56	
Flow configuration		Countercurrent	
Number of plates / thickness		100 / 0.3 mm	
Number of passes		1	1
Pressure vessel code		PED	
Design pressure at 90.00 Celsius	Bar	30.0	30.0
Design pressure at 225.0 Celsius	Bar	25.0	25.0
Design temperature	°C	-196.0 / 225.0	
Overall length x width x height	mm	441 x 324 x 990	
Net weight, empty / operating	kg	80.4 / 130	

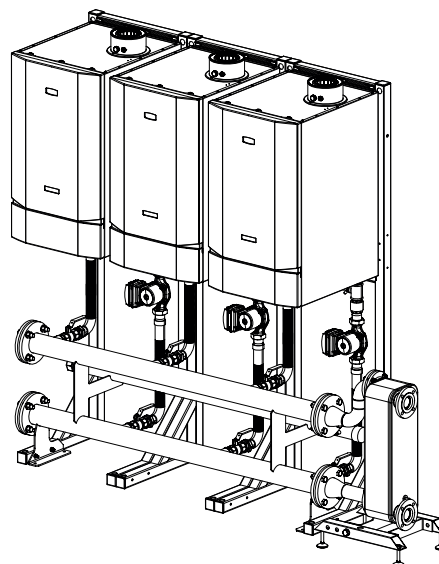
FRAME & HEADER CONNECTIONS

Evomax 2 DN100

STANDARD MATERIALS

Cover plates Stainless steel
Connections Stainless steel
Plates Stainless steel
Brazing Copper

SYSTEM CONNECTIONS DN80



*This is the nominal capacity of the plate heat exchanger applying the operating conditions shown in this document. Please contact Ideal Commercial to confirm the expected performance if the operating conditions differ from those shown.

211387

GET A QUOTE

W: IDEALCOMMERCIALBOILERS.COM

E: commercial@idealboilers.com

T: 0844 543 6060

 @idealcommercial
 Ideal Boilers
 @idealcommercialboilers