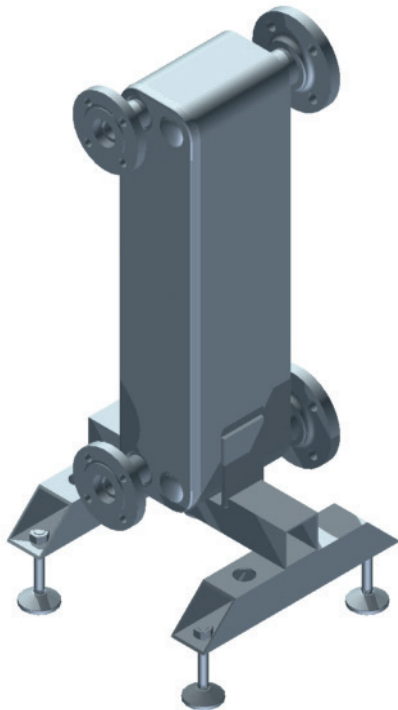


BRAZED PLATE HEAT EXCHANGER

150kW*



Covering outputs of 60, 150, 300, 450, 600, 750 and 900kW. Brazed Plate Heat Exchangers ensure optimum heat transfer efficiency and low resistance within a compact footprint. To be used with Ideal Commercial Frame and Header kits.

FEATURES & BENEFITS

- Compact design
- No gaskets
- Low maintenance and self-cleaning
- All units are pressure tested
- To be used with Ideal Commercial Frame and Header kits
- Ensures optimal heat transfer efficiency and pressure resistance
- Separates system water from the boiler
- Ensures the highest performance for longest possible service life

DIMENSIONS

The dimensions below represent the Plates only.



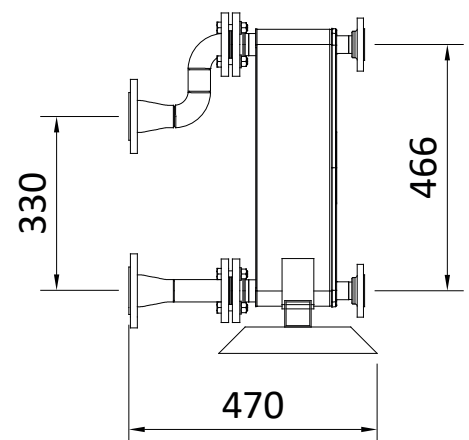
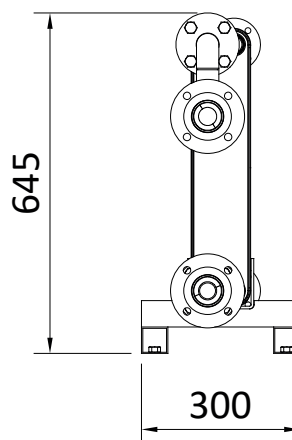
LENGTH
232mm



WIDTH
113mm



HEIGHT
527mm



BRAZED PLATE HEAT EXCHANGER 150kW

SPECIFICATIONS

TECHNICAL SPECIFICATION

		HOT SIDE	COLD SIDE
Mass flow rate	kg/s	1.795	1.795
Inlet temperature	°C	80.0	50.0
Outlet temperature	°C	60.0	70.0
Pressure drop	kPa	11.5	17.3
Heat exchanged	kW	150	
Heat transfer area	m ²	3.36	
Flow configuration		Countercurrent	
Number of plates / thickness		60 / 0.3 mm	
Number of passes		1	1
Pressure vessel code		PED	
Design pressure at 90.00 Celsius	Bar	40.0	40.0
Design pressure at 225.0 Celsius	Bar	32.0	32.0
Design temperature	°C	-196.0 / 225.0	
Overall length x width x height	mm	232 x 113 x 527	
Net weight, empty / operating	kg	13.3 / 19.3	

FRAME & HEADER CONNECTIONS

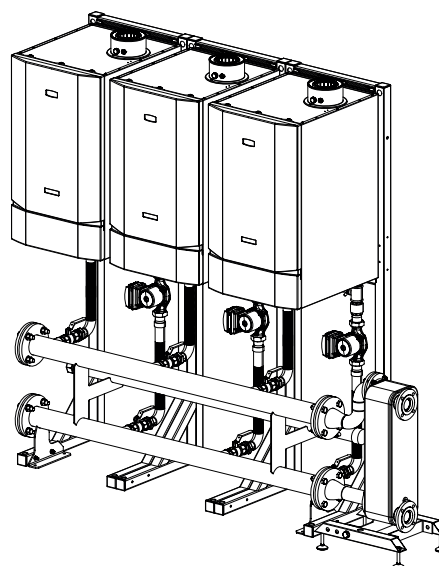
Low Height	DN50
Low Height	DN65
Standard Height	DN80

STANDARD MATERIALS

Cover plates	Stainless steel
Connections	Stainless steel
Plates	Stainless steel
Brazing	Copper

*This is the nominal capacity of the plate heat exchanger applying the operating conditions shown in this document. Please contact Ideal Commercial to confirm the expected performance if the operating conditions differ from those shown.

SYSTEM CONNECTIONS DN25



211382

GET A QUOTE

W: IDEALCOMMERCIALBOILERS.COM

E: commercial@idealboilers.com

T: 0844 543 6060